



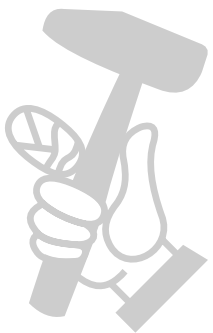
GB

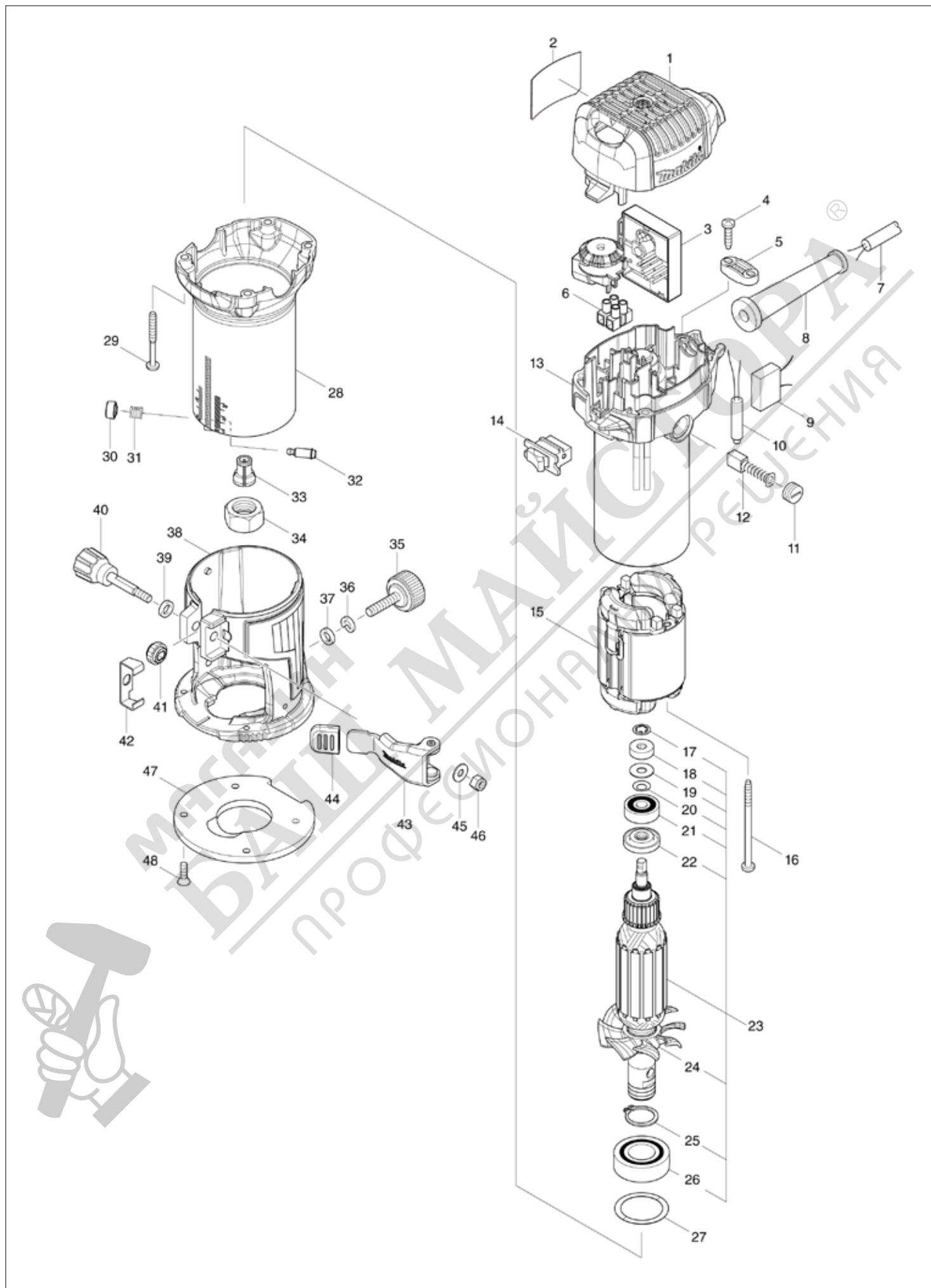
UNITED KINGDOM

# Diagram / Parts List

RT0702C

TRIMMER





GB

UNITED KINGDOM

## RT0702C / TRIMMER

Item	Sub	Parts No.	Parts Description	Qty	I/C	E/C No.	Close No.	Remark
001		413A03-5	TOP COVER	1				
002		8111R5-5	RT0702C NAME PLATE	1				
003A		620H13-9	CONTROLLER	1				110V
003B		620H14-7	CONTROLLER	1				240V
003C		620H13-9	CONTROLLER	1				
003D		620H14-7	CONTROLLER	1				
003E		620H13-9	CONTROLLER	1				110V
003F		620H14-7	CONTROLLER	1				240V
004		266326-2	TAPPING SCREW 4X18	2				
005		687124-5	STRAIN RELIEF	1				
006		654542-2	TERMINAL BLOCK 2P	1				
007A		665918-8	POWER SUPPLY CORD 1.0-2-2.5	1				110V
007B		692527-0	POWER SUPPLY CORD 1.0-2-2.5	1				240V
007C		665918-8	POWER SUPPLY CORD 1.0-2-2.5	1				
007D		692527-0	POWER SUPPLY CORD 1.0-2-2.5	1				
007E		665918-8	POWER SUPPLY CORD 1.0-2-2.5	1				110V
007F		692527-0	POWER SUPPLY CORD 1.0-2-2.5	1				240V
008		682504-0	CORD GUARD 10-85	1				
009		645233-6	NOISE SUPPRESSOR	1				
010		646133-3	CHOKE COIL	1				
011		643550-8	BRUSH HOLDER CAP 5-8	2				
012		195010-1	CARBON BRUSH SET CB-411	1				
013		141E76-9	BRACKET COMPLETE	1				
	C10	643455-2	BRUSH HOLDER 6X9	2				
014		651527-9	SWITCH	1				
015A		593766-4	FIELD ASS'Y 115V	1				110V
015B		593769-8	FIELD ASS'Y 240V	1				240V
015C		593766-4	FIELD ASS'Y 115V	1				
015D		593769-8	FIELD ASS'Y 240V	1				
015E		593766-4	FIELD ASS'Y 115V	1				110V
015F		593769-8	FIELD ASS'Y 240V	1				240V
	C10	654100-4	RING TERMINAL	1				
	C20	654501-6	CONNECTOR P-1.25	1				
016		266340-8	TAPPING SCREW 4X65	2				
017		259039-2	SELF LOCK 6	1				
018		688117-5	MAGNET SLEEVE	1				
019		253332-6	THIN WASHER 6	1				
020		267756-0	WAVE WASHER 6	1				
021		210023-2	BALL BEARING 627DDW	1				
022		681668-7	INSULATION WASHER	1				
023A		515841-6	ARMATURE ASS'Y 115V	1				
	D10		INC. 17-22,24-26					110V
023B		515844-0	ARMATURE ASS'Y 240V	1				
	D10		INC. 17-22,24-26					240V
023C		515841-6	ARMATURE ASS'Y 115V	1				
	D10		INC. 17-22,24-26					
023D		515844-0	ARMATURE ASS'Y 240V	1				
	D10		INC. 17-22,24-26					
023E		515841-6	ARMATURE ASS'Y 115V	1				
	D10		INC. 17-22,24-26					110V
023F		515844-0	ARMATURE ASS'Y 240V	1				
	D10		INC. 17-22,24-26					240V
024		240125-0	FAN 55	1				
025		961057-5	RETAINING RING S-17	1				
026		210301-0	BALL BEARING 6003DDW	1				
027		253906-3	WAVE WASHER 26	1				
028		140735-2	OUTER HOUSING COMPLETE	1				
029		266560-4	TAPPING SCREW 4X40	4				
030		452468-0	PUSH BUTTON	1				
031		233127-3	COMPRESSION SPRING 7	1				
032		256437-1	PIN 4	1				
033		763637-1	COLLET CONE 1/4"	1				
034		763615-1	COLLET NUT	1				
035		265763-7	THUMB SCREW M6X25	1				
036		253428-3	SPRING WASHER 6	1				

A:RT0702C(L)  
B:RT0702C(H)  
C:RT0702CX2(L)  
D:RT0702CX2(H)  
E:RT0702CX4(L)  
F:RT0702CX4(H)

Interchange

O : Yes

X : No

&lt; : the new part can be substituted for the current.

&gt; : the current part can be substituted for the new.

S : Interchangeable as a set.

GB

UNITED KINGDOM

## RT0702C / TRIMMER

Item	Sub	Parts No.	Parts Description	Qty	I/C	E/C No.	Close No.	Remark
037		941151-9	FLAT WASHER 6	1				
038		142403-3	TRIMMER BASE COMPLETE	1				
039		941151-9	FLAT WASHER 6	1				
040		265792-0	THUMB SCREW M5X35	1				
041		227262-7	SPUR GEAR 16	1				
042		346392-6	CAM PLATE	1				
043		163524-8	LOCK LEVER COMPLETE	1				
044		424396-9	RUBBER CAP	1				
045		941101-4	FLAT WASHER 5	1				
046		252103-8	HEX. LOCK NUT M5-8	1				
047		454842-8	BASE PROTECTOR	1				
048		912112-6	COUNTERSUNK HEAD SCREW M4X10	4				
A01		122965-7	STRAIGHT GUIDE ASSEMBLY	1				
	C10	252649-4	THUMB NUT M6	1				
	C20	266339-3	CAP SQUARE NECK BOLT M6X20	1				
	C30	346382-9	GUIDE PLATE	1				
A02		195559-1	DUST NOZZLE SET	1				
	C10	265774-2	THUMB SCREW M4X19	1				
A03		343577-5	TEMPLET GUIDE 10	1				
A04		781011-1	WRENCH 22	1				
A05		781039-9	WRENCH 13	1				
A06C		194733-8	DUST NOZZLE SET	1				
	C10	213022-3	O RING 3	2				
	C20	265774-2	THUMB SCREW M4X19	1				
A06D		194733-8	DUST NOZZLE SET	1				
	C10	213022-3	O RING 3	2				
	C20	265774-2	THUMB SCREW M4X19	1				
A08C		344364-5	TEMPLET GUIDE 16	1				
A08D		344364-5	TEMPLET GUIDE 16	1				
A09C		122703-7	TRIMMER GUIDE ASS'Y	1				
	C10	251471-6	- FLAT HEAD SCREW M5	1				
	C20	265135-6	+ COUNTERSUNK HEAD SCREW M4X1	1				
	C30	265763-7	THUMB SCREW M6X25	1				
	C40	265764-5	THUMB SCREW M6	1				
	C50	317788-8	GUIDE HOLDER	1				
	C60	324378-0	ROLLER 11	1				
	C70	341136-9	HOOK	1				
	C80	941151-9	FLAT WASHER 6	1				
A09D		122703-7	TRIMMER GUIDE ASS'Y	1				
	C10	251471-6	- FLAT HEAD SCREW M5	1				
	C20	265135-6	+ COUNTERSUNK HEAD SCREW M4X1	1				
	C30	265763-7	THUMB SCREW M6X25	1				
	C40	265764-5	THUMB SCREW M6	1				
	C50	317788-8	GUIDE HOLDER	1				
	C60	324378-0	ROLLER 11	1				
	C70	341136-9	HOOK	1				
	C80	941151-9	FLAT WASHER 6	1				
A09E		122703-7	TRIMMER GUIDE ASS'Y	1				
	C10	251471-6	- FLAT HEAD SCREW M5	1				
	C20	265135-6	+ COUNTERSUNK HEAD SCREW M4X1	1				
	C30	265763-7	THUMB SCREW M6X25	1				
	C40	265764-5	THUMB SCREW M6	1				
	C50	317788-8	GUIDE HOLDER	1				
	C60	324378-0	ROLLER 11	1				
	C70	341136-9	HOOK	1				
	C80	941151-9	FLAT WASHER 6	1				
A09F		122703-7	TRIMMER GUIDE ASS'Y	1				
	C10	251471-6	- FLAT HEAD SCREW M5	1				
	C20	265135-6	+ COUNTERSUNK HEAD SCREW M4X1	1				
	C30	265763-7	THUMB SCREW M6X25	1				
	C40	265764-5	THUMB SCREW M6	1				
	C50	317788-8	GUIDE HOLDER	1				
	C60	324378-0	ROLLER 11	1				
	C70	341136-9	HOOK	1				
	C80	941151-9	FLAT WASHER 6	1				

A:RT0702C(L)  
 B:RT0702C(H)  
 C:RT0702CX2(L)  
 D:RT0702CX2(H)  
 E:RT0702CX4(L)  
 F:RT0702CX4(H)

Interchange

O : Yes

X : No

&lt; : the new part can be substituted for the current.

&gt; : the current part can be substituted for the new.

S : Interchangeable as a set.

